

User Manual

TFT-LED MONITOR TV/ HDMI



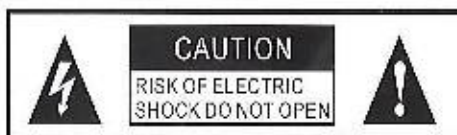
Thanks for buying our brand's LED TV. In order to use this TV more properly, please read the user manual carefully and keep it well, for later reference.

INSTALLATION

- Do not put the TV to the place which strong sunlight to the screen. We suggest to watch TV in Soft light for more comfortable reason. Completely dark environment can cause eye fatigue.
- Keep the air circulation, please leave enough space around the TV.
- Must avoid the high temperature environment to prevent the shell damage and component aging.
- TV's external power supply voltage range is AC100-240V.
- Do not block the radiator when working

Safety Instruction

- Don't damage the inner accessories of the TV.
- The LED panel is made of glass, so it will be broken when getting strong shocks and sharp carving. If the LED panel is broken, please be careful not to damage by the glass. Before cleaning the machine, please remove the power plug from the power outlet, and then wiping the surface with dry and soft cloth. When heavy rain, especially when there is thunder and light, please remove the plug and the antenna plug to prevent damaging your TV.
- This machine is not waterproof, please don't be rain or water immersion.
- There is high voltage inside the machine. Don't take apart the back shell in case of getting an electric shock.



Button Instruction

INPUT: Press INPUT key (select TV/AV/VGA/HDMI), and then press + or - to change over to the selected interface; press MENU to return to the interface.

- + is combination key

Under TV status, channel + - can be performed only after + key is pressed.

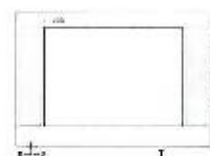
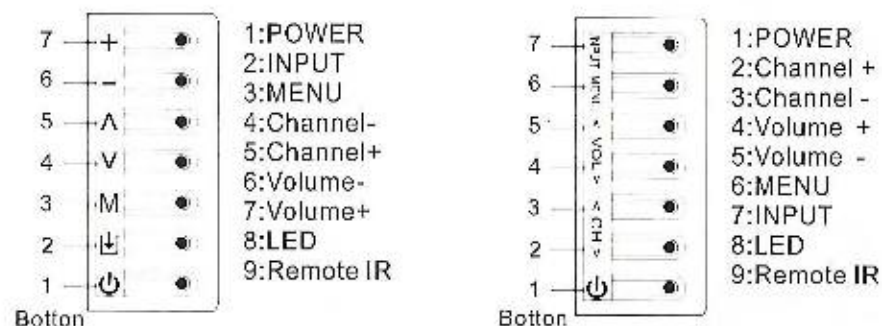
Voice up/down: Voice + - can be performed only after - key is pressed.

MENU: Press MENU key, and the menu interface will appear. Press MENU to exit the menu. Press + key to move rightwards. Press - key to move leftwards. Press INPUT to select downwards.

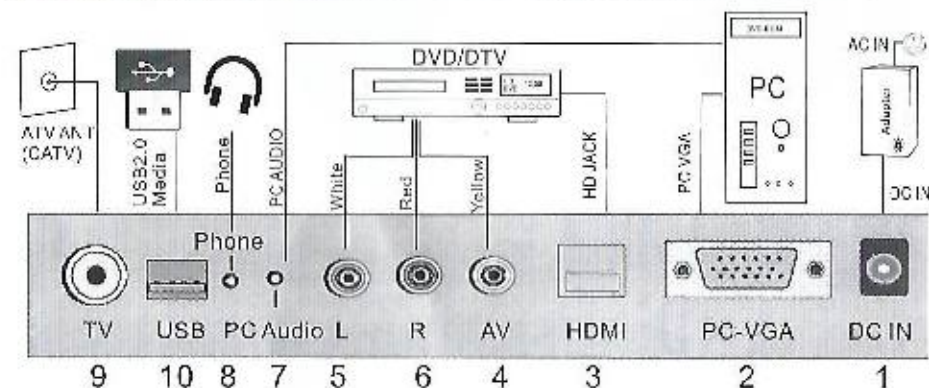
AV/TV/VGA/HDMI voice adjustment:

Voice adjustment menu will appear after - key is pressed, and then perform voice adjustment.

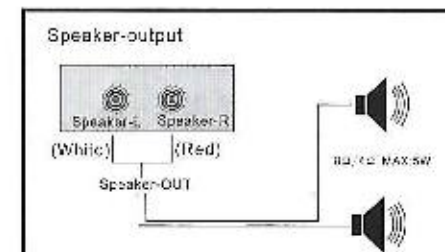
Button Instruction



Product Port



- 1:DCIN (12-14V)
- 2:VGA
- 3:HDMI
- 4:AV VIDEO IN
- 5:AV AUDIO-L
- 6:AV AUDIO-R
- 7:PC AUDIO
- 8:EARPHONE
- 9:TV RF IN
- 10:USB JACK



Remote Control operation

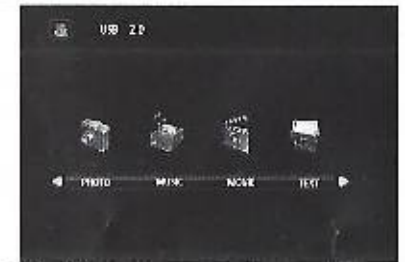


Matters attention

- Please don't use new battery together with old battery.
- Do not mix different types of batteries
- Remove battery when you do not use remote,
- Pay attention to the protection of the remote, do not drop
- Please change in time when battery power is low

Menu operation---Channel Selection

Press INPUT button,
Pop-up menu shown, You can select
the signal sources according your
needs. Such as TV,AV,VGA,HDMI,
Media
Press ▲▼ button to move
Press ENTER or◀▶ button to
confirm.



When you select Media,
Pop-up Media Main menu, press tu button to
move, according to the type of multi-media
options. Such as :
PHOTO, MUSC, MOVIE, TEXT,
Press ENTER button to confirm and put into play

Basic Operation



Press the MENU button on the remote control to
enter the main menu, press the tu button to select
the sub-menu, press pq button to move to the item
to be adjusted.

Press tu button to aurn to the previous level, press
MENU button to exit. djust, Press MENU button to
save and ret



Press ◀▶ button choose
CHANNEL

Press ▲▼ button move

- Auto Tuning
- ATV Manual Tuning
- Programme Edit



Press ◀▶ button choose
PICTURE

Press ▲▼ button move

- PictureMode: Movie/Dynamic/Standard/User
- Contrast
- Brightness
- Color
- Tint
- Sharpness
- Colo Temperature
- Noise Reduction



Press ◀▶ button choose SOUND
 Press ▲▼ button move
 ● Sound
 MODE: Standard/Dynamic/Movie/Us
 er
 ● Treble
 ● Bass
 ● Balance
 ● Auto Volume: OFF/ON
 ● SPDF MODE



Press ◀▶ button choose TIME
 Press ▲▼ button move
 ● Sleep Timer
 ● Auto Sleep
 ● OSD Timer



Press ◀▶ button choose OPTION
 Press ▲▼ button move
 ● OSD Language
 ● Aspect Ratio
 ● Blue Screen
 ● Key Lock
 ● Reset
 ● *Software Update(USB)*

some menu buttons are subject to the real product

Specification

Display Size	15",17",19",22",24",26",28",32"
Power supply	AC110--240V,DC12V--2.5A/3A/4A
Color system	PAL/SECAM/NTSC
Frequency range	48.25-863.25MHZ
Audio output	2*5W@4-8ohm
Video system	PAL/NTSC 1V p-p
VGA	1024*768 60HZ/1280*1024 60HZ 1366*768/1440*900/1920*1080 60HZ
HDMI	1080P,1080I,720P,720I,480P,480I
Media	USB2.0/MP3,JPEG,AVI,RMVB...

Packing Accessories

1: LED TV	1PCS
2: Remote control	1PCS
3:AC Adaptor	1PCS
4:AC Power cable	1PCS
5:VGA cable (Optional)	1PCS
6:Baseplate	1PCS
7:User Manual	1PCS



Recycling

In the future, whenever you want to throw away this product. Please check and obey the regulation about deal with waste TV, Battery and package material in Local administration.